

Wavereach Medium Power Remote Radio Unit

MRRUWR-SBN14T4R

Single Band | N781 4T4R | 10W Power Output

Optional Integrated antenna



Product Features

- **Operation Bandwidth:** 100MHz
- **RF Power:** 4T4R with 10W per ANT port
- **Compact design:** Light-weight, small form-factor and energy efficient
- **Rugged Enclosure:** IP65 for outdoor use
- **Antenna Options:** Support integrated or external antennas
- **User friendly GUI:** Easy maintenance and configuration

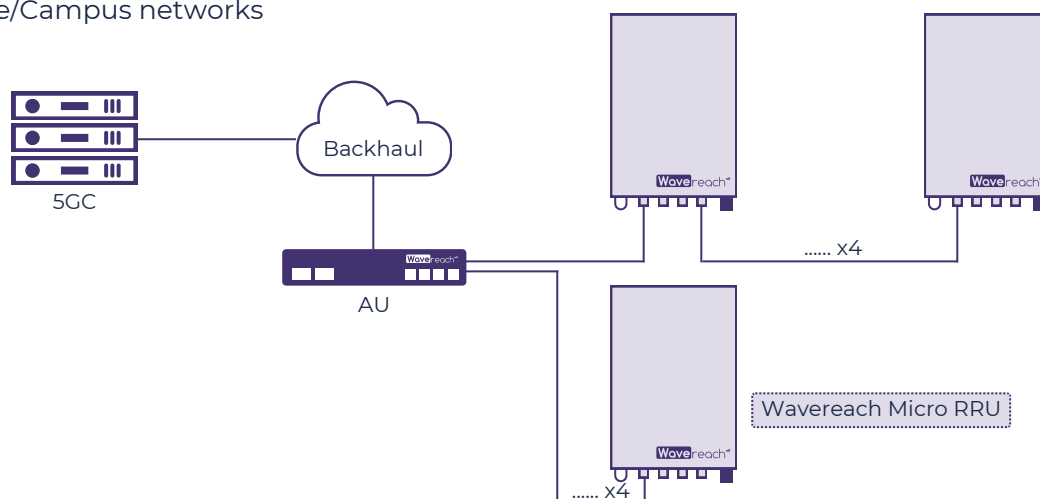
Product Description

The **N781 4T4R Medium-Power RRU**, a key component of Wavereach’s cutting-edge Open RAN portfolio, designed for versatile RAN deployment scenarios. This RRU combines high-performance hardware with integrated software solutions, offering a compact and lightweight design alongside best-in-class software-defined radio technology.

Featuring efficient multi-carrier power amplifiers and Multi-TRX technology, the N781 4T4R RRU supports 5G capacity upgrades for both indoor and outdoor applications. It is ideal for enhancing signal and coverage in challenging environments such as rural areas, mountainous regions, and urban streets. Additionally, it can seamlessly integrate with existing macro networks, providing operators with a cost-effective approach to ongoing network expansion and optimization.

Application Scenarios

- Mobile broadband for Data/Voice services
- Urban/Suburban coverage
- Enterprise/Campus networks



Technical Specification

Radio Specification		
Technology	NR	
TRx Configuration	4T4R	
Operation Bandwidth	100MHz	
Instantaneous Bandwidth	100MHz	
Occupied Bandwidth	100MHz	
Capacity (per antenna port)	NR	1 carriers (100MHz)
Operating Frequency	3700 - 3800MHz	
Interface to BBU	<ul style="list-style-type: none"> CPRI eCPRI: O-RAN split option 7.2x support * 	
Output Power per Tx	10W	
EIRP per Tx**	50dBm	
ACLR	Compliant with 3GPP TS 38.104	
Transmitter Spurious Emissions	Compliant with 3GPP TS 38.104, CEPT	
EVM	Compliant with 3GPP TS 38.104	
Noise Figure	Typical: 3.5dB	
Blocking Features	Compliant with 3GPP TS 38.104	
Receiver Spurious Emissions	Compliant with 3GPP TS 38.104	
Interface	ANTI-4 OPTI-2 Power AISG Debug GPS	4 x NEX10 Female 2 x SFP+ AC100-240V AISG 2.0 Mini-USB (Ethernet over Mini-USB via LMT cable) Optional, GPS Bands customized
LED Indicator	PWR RUN/ALM ACT VSWR OP1 OP2	Power Running Status System Running Status PA Running Status Channel Running Status Optical Module Running Status Optical Module Running Status

Electrical and Mechanical Specification	
Volume	Integrated antenna: 370mm x 200mm x 115mm External antenna: 370mm x 200mm x 95mm
Power Supply	100-240 VAC/47-63Hz
Power Consumption	Max: 180W***
Weight	Integrated antenna: 8kg External antenna: 7kg
Humidity	5% ~ 95%
Operating Temperature	-40°C ~ +55°C
IP Rating	IP 65
Mounting Options	Pole (45mm to 120mm) / Wall

Note: * Support via software upgrade.

** For integrated antenna version only.

*** The max power consumption of an RRU is measured at 25°C ambient temperature. The actual power consumption may have a 10% deviation from the value.